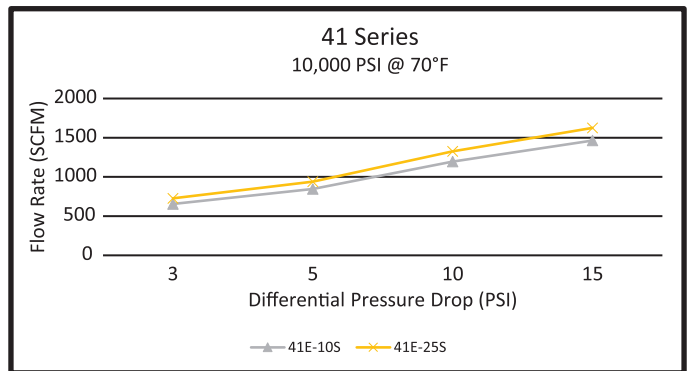
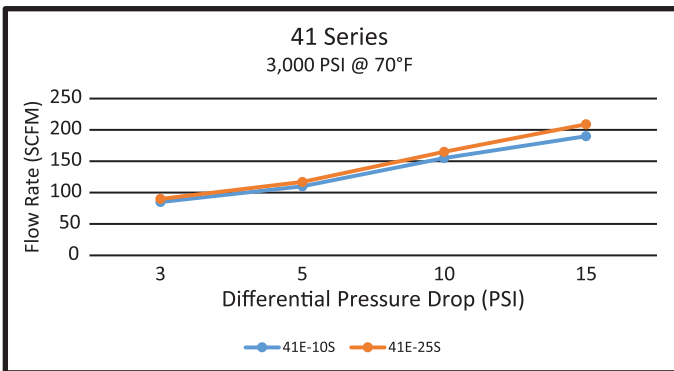
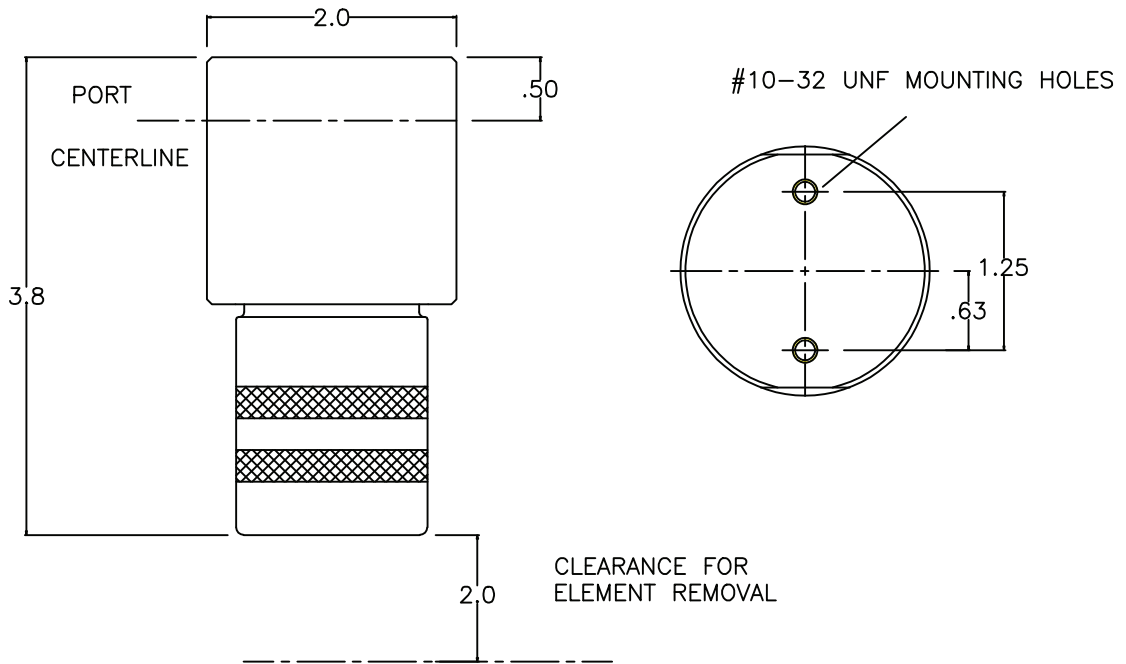


# HY41 Series *Mini Tee-Type Filters*



- › Flows up to 1500 SCFM
- › Up to 7,500 PSI
- › Available in 316 (5,000K) and Nitronic 50 (7,500K)
- › A Wide Range of Micron Ratings Available
- › 1/4" SAE

MINI TEE-TYPE FILTERS



**SC INDUSTRIAL SALES**  
PUMPING & FILTRATION SOLUTIONS

1 Chestnut St., Suite 339 - Nashua, NH 03060  
Ph. (603) 577-8707  
sales@scindustrialsales.com



# HY41 Series How to Order

## Example Part Number

A	B	C	D	E	F	G	H		
HY41	N	-	1	4	S	-	10S	E	N

Section A	Description	Code		
Filter Series	Mini Tee-Type	41		
<b>Section B</b>				
Housing Material	Nitronic 50 - 7,500 PSI	N		
& Pressure	316 SS - 5,000 PSI	T		
<b>Section C</b>				
Flow	1,500 SCFM	1		
<b>Section D</b>				
Inlet/Outlet Port	1/4"	4		
<b>Section E</b>				
Inlet/Outlet Type	SAE	S		
<b>Section F</b>				
	<i>Material</i>	<i>Micron/Nom</i>	<i>Micron/Abs</i>	
Micron Rating/ Material	Microglass	1	1M	
	Microglass	3	3M	
	Microglass	5	5M	
	Microglass	10	10M	
	Microglass	25	25M	
	304 SSTL	2	10	10S
	304 SSTL	5	18	18S
	304 SSTL	10	25	25S
	304 SSTL	40	75	75S
	304 SSTL	74	100	100S
	304 SSTL	100	200	200S
	<b>Section G</b>			
Collapse Rating	300 PSID Microglass	C		
	3250 PSID Microglass	D		
	4500 PSID Stainless Wire Epoxy Bonded	E		
<b>Section H</b>				
O-Ring Material	Buna -40°F to +250°F	N		
	Viton® -20°F to +400°F	V		
	EPR -60°F to +400°F	E		
	Kalrez® -40°F to +500°F	K		
	Teflon Encapsulated Viton -4°F to +400°F	S		
	Teflon -325°F to +550°F	T		

## Replacement Element

A	F	G	H		
HY41	E	-	10S	E	N

Section A	Description
Element	Element Size
	41
	Element
	E
<b>Section F</b>	
Micron/Material	See Section F Above For Code
	10S
<b>Section G</b>	
Collapse Rating	See Section G Above For Code
	E
<b>Section H</b>	
O-Ring Material	See Section H Above For Code
	N

