

SINGLE ROUND CARTRIDGE VESSEL

CSD CARTRIDGE VESSELS DESIGNS **C083L** AND **CL83L** ARE AVAILABLE IN 2 LENGTHS; **18" & 36"**.

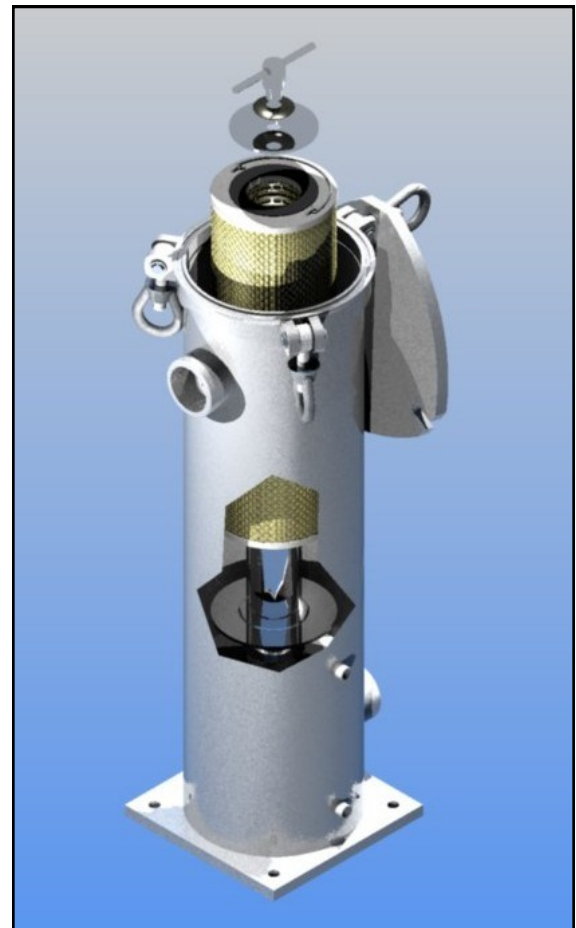
- **UTILIZE STANDARD 6-18 & 6-36 ELEMENTS**
- **PERMANENTLY PIPED HOUSING**
- **POSITIVE SEALED EYE BOLT LIDS**
- **EASY & SAFE ACCESS FOR CHANGE-OUTS**

CARTRIDGE HOUSING DESIGNS EFFECTIVELY REMOVE DIRT AND OTHER CONTAMINANTS FROM PROCESS LIQUIDS OFFERING PARTICULATE REMOVAL FROM 1 THRU 800 MICRON, LOW DIFFERENTIAL PRESSURE DROPS AND COST EFFECTIVE CLEAN FLUIDS.

CSD VESSELS ARE
AMERICAN MADE & INDUSTRIAL GRADE
ENSURING QUALITY & SAFETY

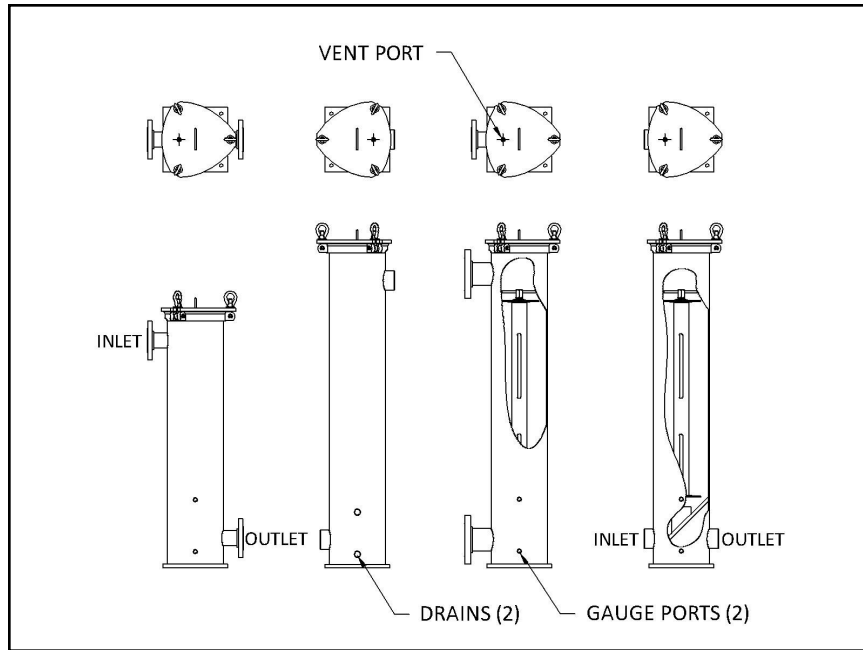
STANDARD FEATURES:

- ⇒ CARBON STEEL, 304L & 316L STAINLESS STEEL
- ⇒ PERMANENTLY PIPED VESSELS
- ⇒ KV KITS
- ⇒ 100 OR 150 P.S.I.
- ⇒ 3-LUG HINGED LID DESIGN
- ⇒ OUTLETS AVAILABLE: BOTTOM, OPPOSITE OR SAME SIDE
- ⇒ NPT OR FLANGED CONNECTIONS
- ⇒ VENT, GAUGE, DRAIN PORTS
- ⇒ BUNA SEALS
- ⇒ FLAT BOTTOM (FLOOR MOUNT) BASE



OPTIONS:

- ⇒ INLET / OUTLET CONNECTION
- ⇒ INLET / OUTLET LOCATIONS
- ⇒ MANUAL / AUTOMATIC DUPLEXING
- ⇒ SEAL MATERIAL: EPDM, VITON, TEFLON ENCAPSULATED VITON
- ⇒ HIGHER PRESSURE RATING
- ⇒ SPECIALTY DESIGNED VESSELS
- ⇒ ADJUSTABLE CARBON STEEL TRIPOD LEGS



ELEMENT SIZES	INDUSTRY STANDARD 6-18 AND 6-36 ELEMENTS
BASKET LENGTH	18" OR 36"
ELEMENT RETAINER MATERIAL	CARBON STEEL, STAINLESS STEEL
HOUSING LID	3-LUG HINGED LID WITH 0.25" (F) NPT VENT PORT AND HANDLE
CONNECTION SIZE	1.0", 1.25", 1.5", 2", 3" OR 4"
CONNECTION STYLE	NPT OR FLANGED
INLET / OUTLET LOCATIONS	OUTLETS AVAILABLE: BOTTOM, OPPOSITE SIDE, SAME SIDE, BOTTOM ELBOWED AWAY
SEALS	BUNA, EPDM, VITON, TEFLON ENCAPSULATED VITON
CONSTRUCTION / FINISH	CARBON STEEL W/ STANDARD EXTERIOR FINISH; STAINLESS STEEL W/ BEAD BLAST SATIN FINISH
PRESSURE RATING	150 PSI @ 300° F, 100 PSI @ 300° F
ADDITIONAL PORTS	TWO 0.25" (F) NPT GAUGE PORTS; TWO 0.75" (F) NPT DRAIN PORT
BASE	FLAT BOTTOM (FLOOR MOUNT), ADJUSTABLE CARBON STEEL TRIPOD LEGS

BUILD A CSD PART NUMBER

C	08	01	36	3L	020	N	2	B	C
TYPE	VESSEL SIZE	# OF BASKETS / ELEMENTS	ELEMENT LENGTH	# OF LUGS	CONNECTION SIZE	CONNECTION STYLE	OUTLET LOCATION	SEALS	MATERIAL OF CONSTRUCTION

*** For specific vessel dimensional cut sheets, call factory or consult website***



1 Chestnut Street, Box 16, Suite 340— Nashua, NH 03060

Ph: (603) 577-8707— E: sales@scindustrialsales.com

W: scindustrialsales.com